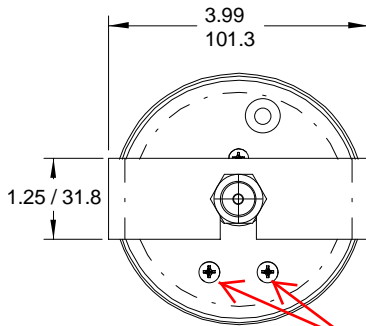
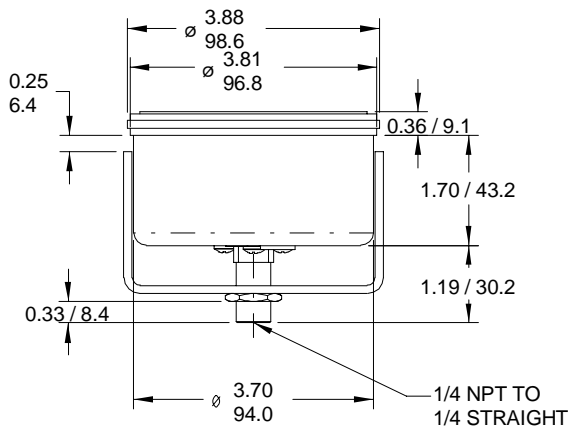


SN3189-45-1
Rev: 3¹
June 2001

**Receiver and Pressure Gauges
Changes Affecting Installation**

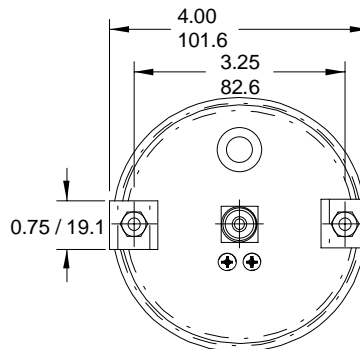
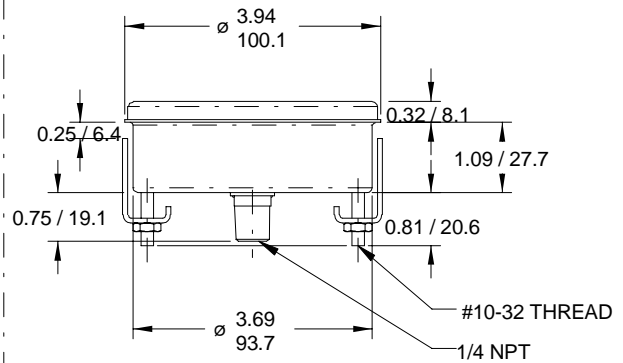
The outside dimensions of some receiver and pressure gauges have changed. A partial list is provided on the next page. Customers who have installed the earlier design need to be aware of the changes, particularly when replacing a gauge. This publication is offered to make the transition as comfortable as possible.

There are two areas of significant change: dimensions and bracketry. The earlier gauges were deeper and had a separate bracket and locknut for panel mount applications. The current gauges are shallower and the bracket is included.



5/16 X 24 UNF Female Thread Pneumatic Connections on duplex gauge

EARLIER GAUGE



CURRENT GAUGE

ø 3.75 +.00, -.03 / 95.25 +.00, -.76 HOLE

REQUIRED IN PANEL -
0.25 / 6.35 THICK MAX.

Note: All dimensions are in inches and millimeters.

AG000326

¹ Rev: 3 Changes: Because additional gauges are involved, the gauge part numbers have been removed from the title and the table on page 2 has been added. Siemens Moore replaced by Siemens E & A in June 2001 revision.

Partial List (by Part Number) of Involved Receiver and Pressure Gauges

Receiver Gauge PNs	Pressure Gauges	
	Earlier PNs	Current PNs
3189-51		
3189-54	3189-15	3189-84
10600-xx	3189-16	3189-85
	3356-1	3356-38
	3356-2	3356-39
	3356-3	3356-40
	3641-1	3641-29
	3641-2	3641-30
	3641-3	3641-31



Siemens Energy & Automation, Inc. assumes no liability for errors or omissions in this document or for the application and use of the information included in this document. The information herein is subject to change without notice.

Procedures in this document have been reviewed for compliance with applicable approval agency requirements and are considered sound practice. Neither Siemens Energy & Automation, Inc. nor these agencies are responsible for repairs made by the user.